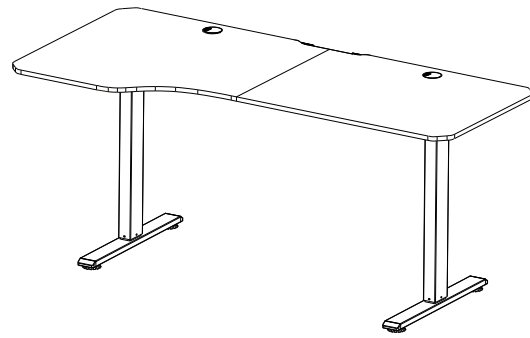
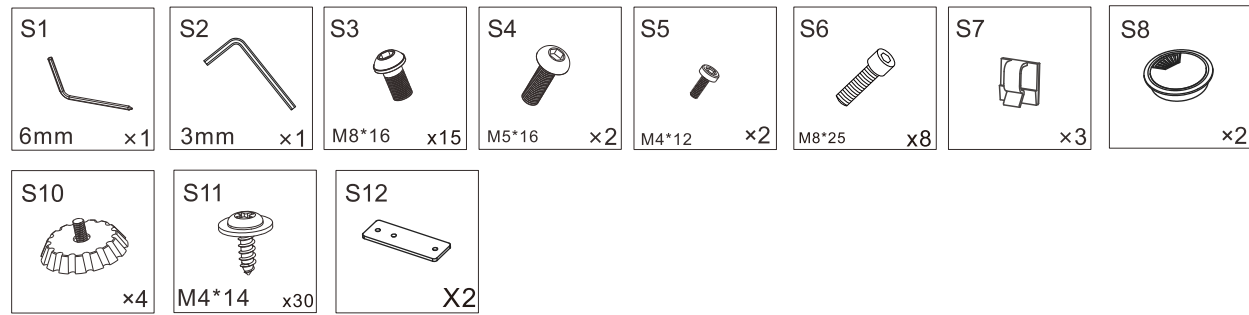


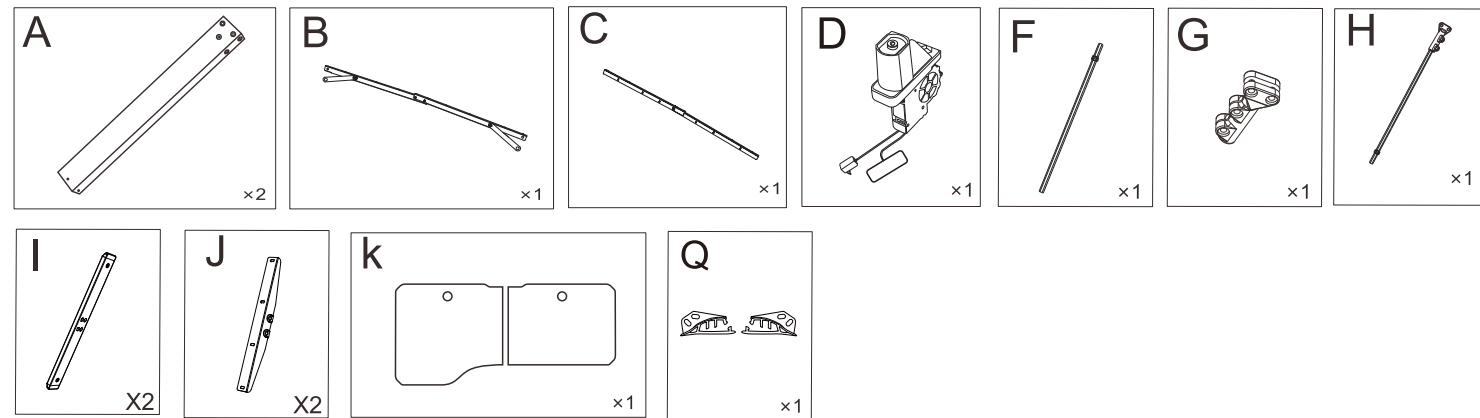
# Assembly Instruction



## • SCREW ACCESSORIES



## • PARTS ACCESSORIES



**1**

S3 M8\*16 x4

S1 6mm x1

**2**

A\*2

B

S3x2

S1 6mm x1

**3**

S3x2

C

S3 M8\*16 x2

S1 6mm x1

Make sure the Front labels are in the same direction.

**4**

D

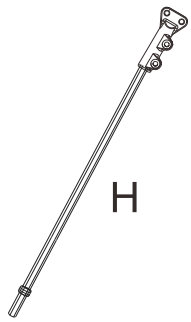
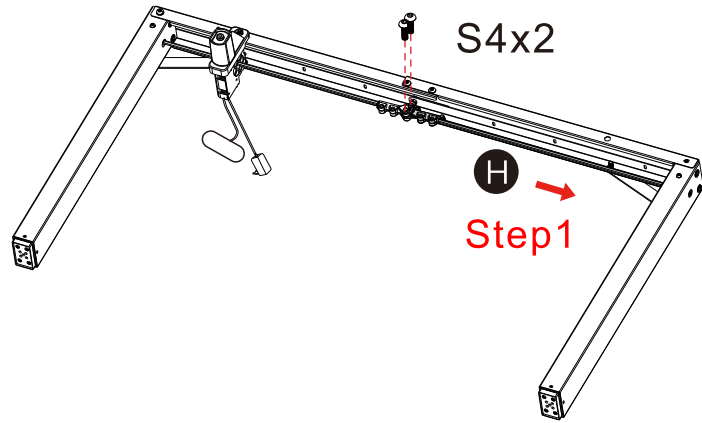
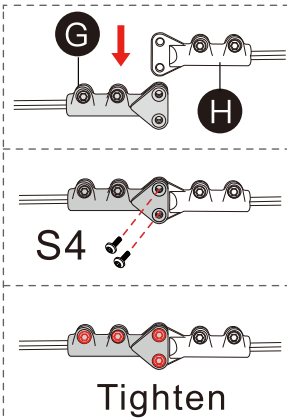
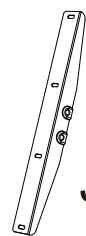
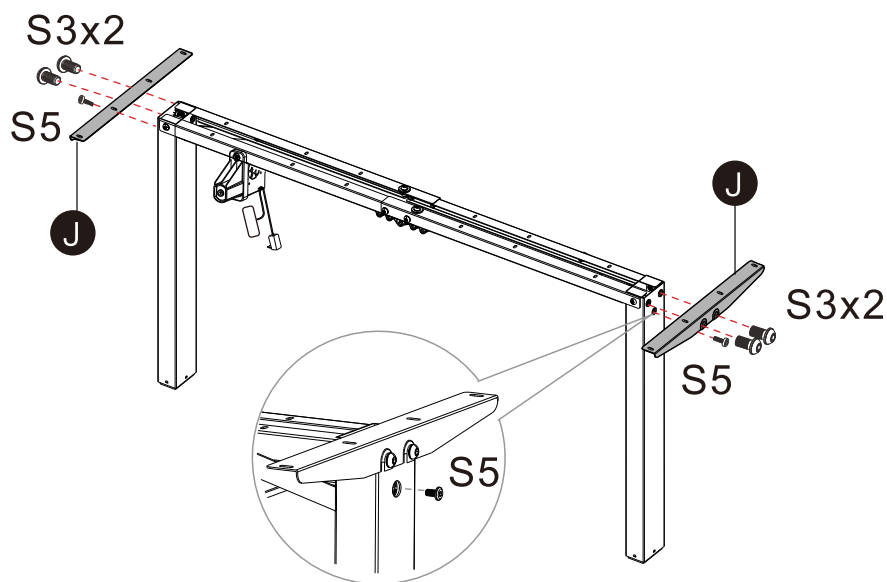
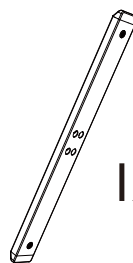
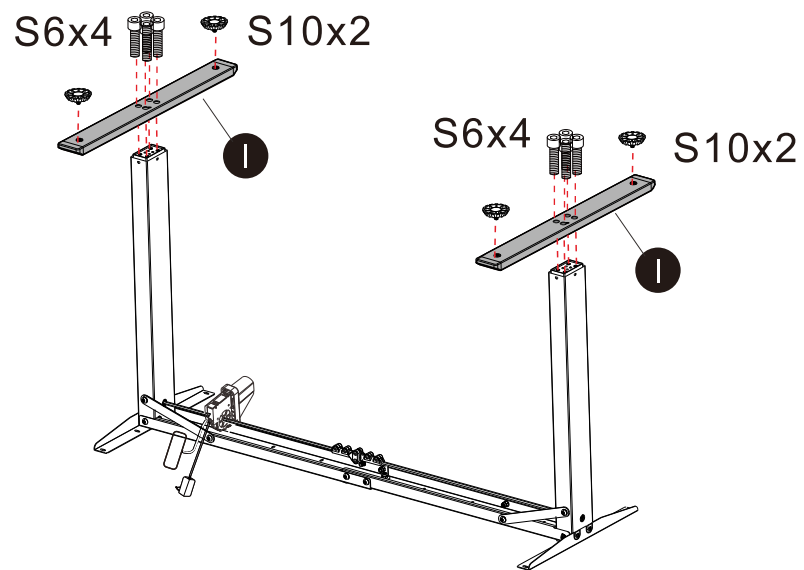
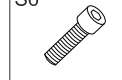
F

G

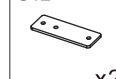
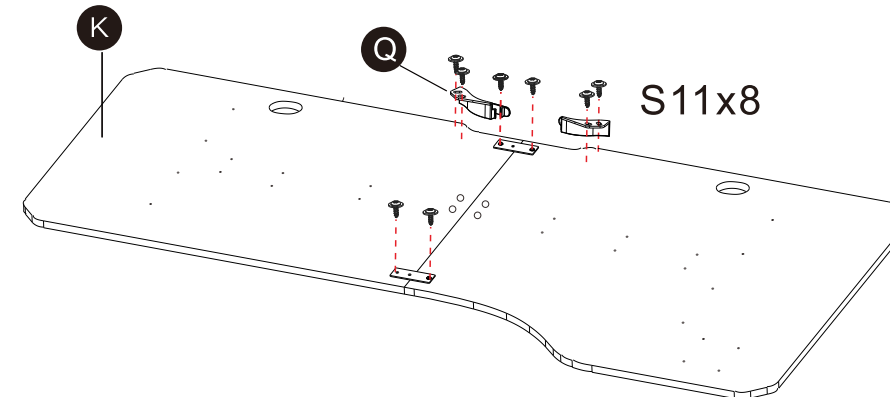
S3 Step2

S3 M8\*16 x1

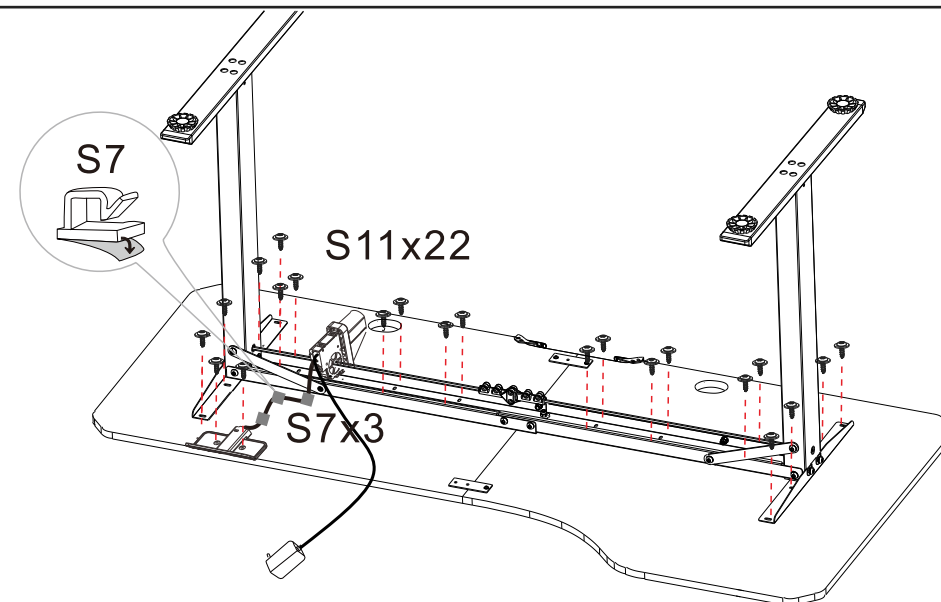
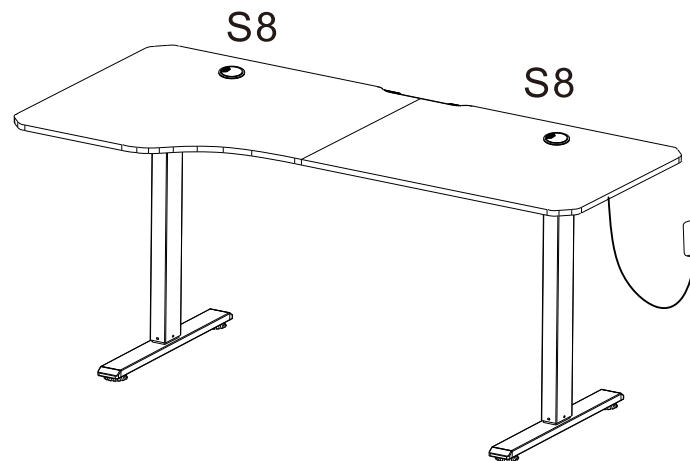
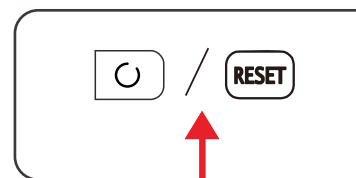
S1 6mm x1

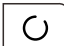
**5****H****S4x2****H****Step1****Step2****G****H****S4****Tighten****S4****x2****S2****3mm x1****6****Jx2****S3x2****S5****J****J****S3x2****S5****S3****M8\*16 x4****S5****M4\*12 x2****S2****3mm x1****S1****6mm x1****7****Ix2****S6x4****I****S10x2****S6x4****I****S10x2****S6****M8\*25 x8****S1****6mm x1****S10****x4**

Please make sure the table legs are vertical to the connecting rod . And then tighten all the screws.

**8****k****Q****S11****M4\*14 x8****S12****x2****S1****6mm x1****K****Q****S11x8**

1.Please make sure the two boards are aligned and seamless.  
2.and then tighten the screws.

**9****S7****S11x22****S7x3****S11****M4\*14 x22****S1****6mm x1****S7****x3****S8****x2****10****S8****S8**

After the table is installed, please press the  key to start

The table will automatically drop to the lowest point, stay for 3 seconds, then rise to the highest point, and finally return to the initial position - successful installation